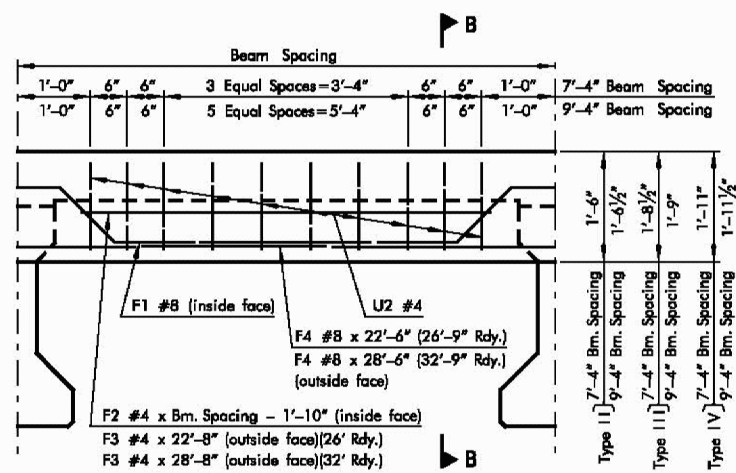
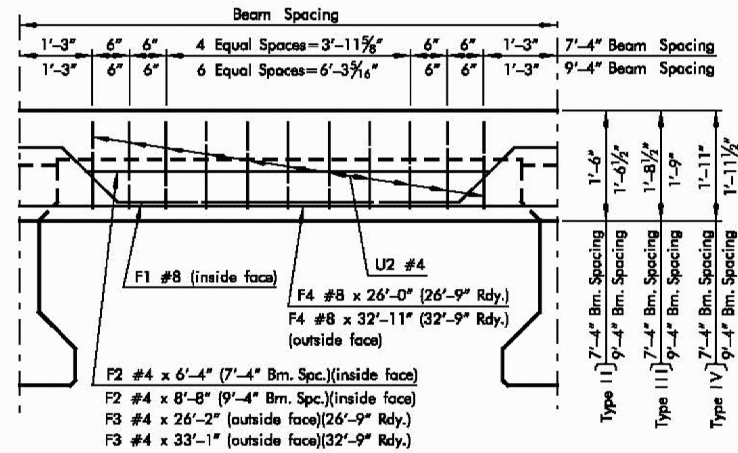


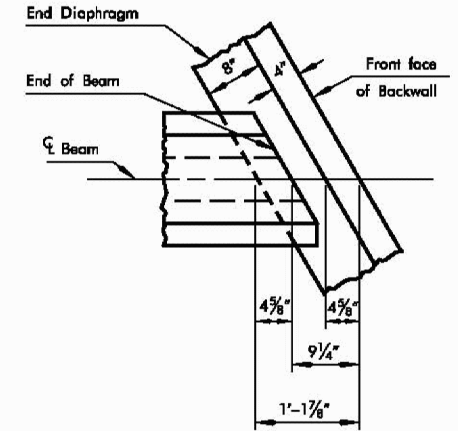
INTERMEDIATE DIAPHRAGM



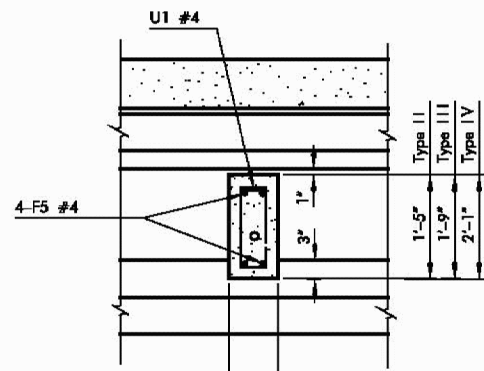
END DIAPHRAGM - 0° SKEW



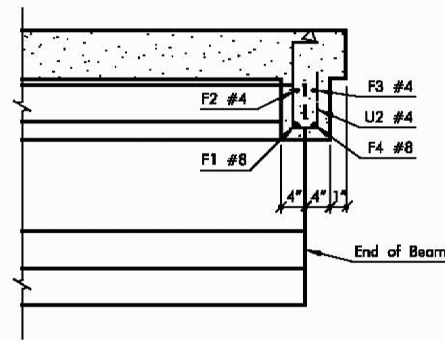
END DIAPHRAGM - 30° SKEW



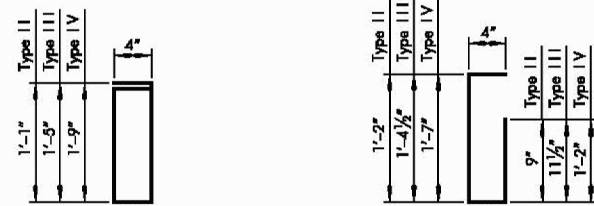
DETAIL AT ABUTMENT SKEWED 30°



SECTION A-A

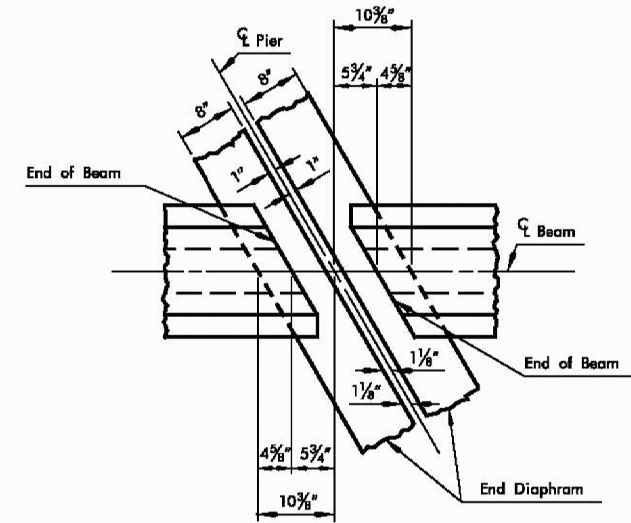


SECTION B-B



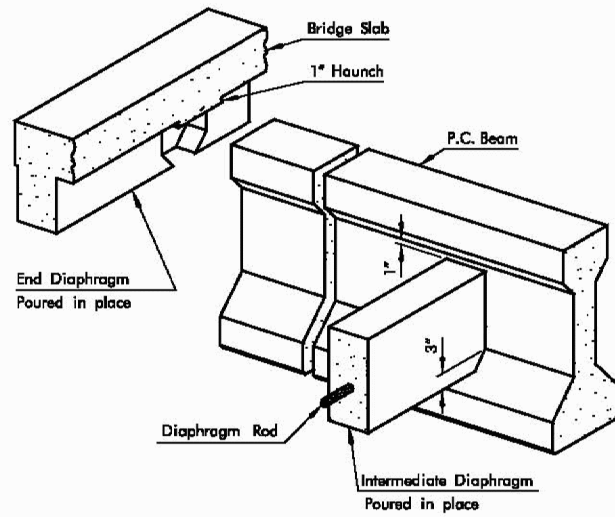
U1 BARS #4 x 3'-2" (TYPE II)
 U1 BARS #4 x 3'-10" (TYPE III)
 U1 BARS #4 x 4'-6" (TYPE IV)

U2 BARS #4 x 2'-7" (TYPE II)
 U2 BARS #4 x 3'-0" (TYPE III)
 U2 BARS #4 x 3'-5" (TYPE IV)



DETAIL AT PIER SKEWED 30°

NOTE: 30° Rt. Fwd. Skew shown.
 30° Lt. Fwd. Skew by opposite Hand.



PICTORIAL VIEW-DIAPHRAGM CONNECTION
 (Interior Beam shown)

Type II	7"	9"	4'-10"	9"	7"	7'-4" Beam Spacing
Type III	9"	11 1/2"	4'-1"	11 1/2"	9"	
Type IV	11"	1'-2"	3'-4"	1'-2"	11"	
Type II	7"	9"	6'-10"	9"	7"	
Type III	9"	11 1/2"	6'-1"	11 1/2"	9"	9'-4" Beam Spacing
Type IV	11"	1'-2"	5'-4"	1'-2"	11"	

F1 BARS #8 x 8'-2" (TYPE III)
 F1 BARS #8 x 8'-3" (TYPE III)
 F1 BARS #8 x 8'-6" (TYPE IV)
 F1 BARS #8 x 10'-2" (TYPE III)
 F1 BARS #8 x 10'-3" (TYPE III)
 F1 BARS #8 x 10'-6" (TYPE IV)

Type II	8"	9"	5'-10"	9"	8"	7'-4" Beam Spacing
Type III	10"	11 1/2"	5'-0"	11 1/2"	10"	
Type IV	12"	1'-2"	4'-2"	1'-2"	12"	
Type II	8"	9"	8'-1"	9"	8"	
Type III	10"	11 1/2"	7'-8"	11 1/2"	10"	9'-4" Beam Spacing
Type IV	12"	1'-2"	6'-6"	1'-2"	12"	

F1 BARS #8 x 9'-4" (TYPE III)
 F1 BARS #8 x 9'-4" (TYPE III)
 F1 BARS #8 x 9'-6" (TYPE IV)
 F1 BARS #8 x 11'-7" (TYPE III)
 F1 BARS #8 x 12'-0" (TYPE III)
 F1 BARS #8 x 11'-10" (TYPE IV)